

LEXCAN

# HI-FLEX EPDM

## Stripbond II™

### DESCRIPTION & USE

Lexcan Hi-Flex EPDM Stripbond II is a nominal 45-mil (1.14 mm) thick reinforced EPDM membrane strip with a nominal 30-mil (.76mm) thick cured EPDM splice tape adhesive laminated along one or both edges. The reinforced EPDM membrane is either 150 mm (6") or 230 mm (9") wide while the adhesive strips are 75 mm (3") wide.

Six-inch Stripbond II has the splice tape pre-applied along one edge, and can be installed horizontally or vertically in conjunction with Seam Fastening Plates below the EPDM deck membrane for additional membrane securement. Nine-inch Stripbond II has splice tape pre-applied to both edges.

Hi-Flex EPDM Stripbond II can be used on Hi-Flex EPDM Loose Laid and Ballasted, Fully Adhered or Mechanically Fastened Roofing Systems, but 150 mm (6") Stripbond II cannot be used in the field of the roof on Mechanically Fastened Systems due to the single 75 mm (3") strip of splice tape. Nine inch Stripbond II is to be used in the field of the roof on Mechanically-Fastened Systems.

### FEATURES & BENEFITS

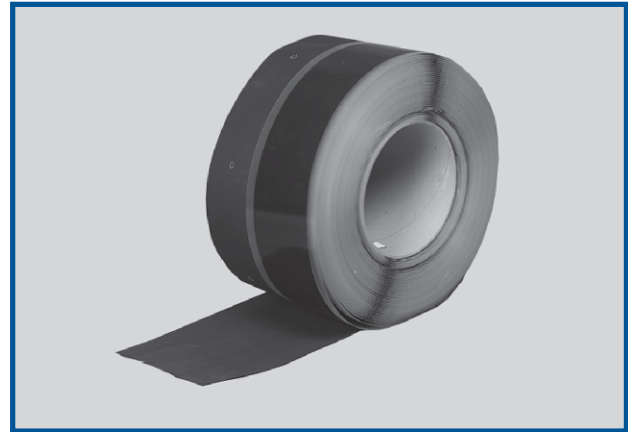
- Reduces fastening through sheet
- Ideal for perimeter securement
- Ideal for securement around penetrations

### TECHNICAL DATA

Properties	6" Stripbond II	9" Stripbond II
Base	Membrane - EPDM (Polyester Reinforced) Tape Adhesive	Membrane - EPDM (Polyester Reinforced) Tape Adhesive
Roll Size	6" x 100'	9" x 100'
Membrane Thickness	45-mil (1.14 mm)	45-mil (1.14 mm)
Tape Adhesive	30-mil (0.76 mm)	30-mil (0.76 mm)
Packaging	2 rolls / carton	1 roll / carton
Net Weight per carton	38 lbs. (17.2 kg)	33 lbs. (15 kg)
Shelf Life	1 Year	1 Year

### CAUTIONS & LIMITATIONS

- Prolonged job site storage temperatures in excess of 32°C (90°F) may affect product shelf life.
- In warm, sunny weather, keep Stripbond II in the box or in a shaded area until ready to use.



- Stripbond II must be stored in a dry area.
- Storage and use of Stripbond II at temperatures below 4°C (40°F) will result in a loss of adhesive tack, and in extreme cases, will result in no bond to the substrate. Overnight storage must be available to keep the temperature of the Stripbond II at a minimum of 15°C (60°F). Hot boxes for job site storage must be provided to maintain a minimum product temperature of 4°C (40°F).
- Due to solvent flash-off, condensation may form on freshly applied primer when the ambient temperature is near the dew point. If condensation develops, the application of primer and installation of Stripbond II must be discontinued, as proper adhesion will not be achieved. Allow the primer surface to dry and apply a thin freshener coat of primer to the previously coated surface when conditions allow.
- See MSDS for complete safety information before using product.

### APPLICATION INSTRUCTIONS

#### Parapet Wall (6" Stripbond II):

1. Unroll and position Stripbond II horizontally or vertically in the angle change with the pre-applied tape laying horizontally and facing up.
2. Position Seam Fastening Plates 3 to 19 mm (1/8" to 3/4") from the angle change, 300 mm (12") on center maximum and secure with a Lexgrip™ fastener. Do not fasten plates over top of release liner, as this will cause liner to tear when removed.

continued on back

lexcan.com

### LEXCAN SINGLE PLY ROOFING SYSTEMS

Ontario and Western Canada  
1 877 792.8308



Quebec and Eastern Canada  
1 800 363.2307

# HI-FLEX EPDM

## Stripbond II

LEXCAN

3. The entire surface where the Reinforced EPDM Strip will be applied must be cleaned and primed. The adhesive on the back of the Stripbond II will not adhere to dusted/dirty surfaces. Remove any dirt or dust resulting from plate installation by wiping with a clean rag. If there is a heavy layer of dirt present, clean the splice area thoroughly with Lexcan Weathered Membrane Cleaner. Any residual dust/dirt will be detrimental to the bond strength of the tape adhesive.

#### 4. Application of PA-100 Primer Adhesive / SA-747 Splice Adhesive:

- a. Standard EPDM Membrane - Apply the primer /adhesive using a clean Lexcan scrub pad or brush. SCRUB the area of the membrane where the Reinforced EPDM Strip will be applied in a circular motion to achieve a thin, even coating on the membrane. The properly cleaned/primed area will be uniform in color without streaks and free of globs or puddles.
  - b. PRE-KLEENED Membrane - Roller apply the primer /adhesive to the area of the membrane where the Reinforced EPDM Strip will be applied with a short nap length paint roller. The coated area will be free of globs or puddles.
5. Allow the primer / adhesive to dry until it does not transfer to a dry finger touch.
  6. Remove the release liner from the tape adhesive on the Stripbond II, pulling it parallel to the roof deck.
  7. Roll the deck membrane onto the exposed adhesive and apply hand pressure to the splice area.
  8. Pull the membrane back to expose the unadhered portion of the Stripbond II. Apply Hi-Flex EPDM BA-90 to the deck membrane, exposed Stripbond II and parapet wall.
  9. Once the adhesive has dried, roll membrane to the angle change and crease. Roll the membrane up the wall and broom for 100% adhesion.
  10. Roll the entire 150 mm (6") width of the Stripbond II splice area with a 50 mm (2") wide steel roller.

\* REVIEW CURRENT LEXCAN SPECIFICATIONS AND DETAILS FOR SPECIFIC APPLICATION REQUIREMENTS.

#### Field of Roof (9" Stripbond II):

1. Unroll and position Stripbond II in the field of the roof with pre-applied tape facing up.
2. Position seam fastening plates, 150 mm (6") or 300 mm (12") on center (maximum), along the center line portion of the Reinforced EPDM Strip and secure with a Lexgrip™ fastener. Do not fasten plates over the top of remaining release liner, as this will cause liner to tear when removed.
3. The entire surface where the Reinforced EPDM Strip will be applied must be cleaned and primed. The adhesive on the back of the Stripbond II will not adhere to dusted/dirty surfaces. Remove any dirt or dust resulting from plate installation by wiping with a clean rag. If there is a heavy layer of dirt present, clean the splice area thoroughly with Lexcan Weathered Membrane Cleaner. Any residual dust/dirt will be detrimental to the bond strength of the tape adhesive.

#### 4. Application of PA-100 Primer Adhesive / SA-747 Splice Adhesive:

- a. Standard EPDM Membrane - Apply the primer /adhesive using a clean Lexcan scrub pad or brush. SCRUB the area of the membrane where the Reinforced EPDM Strip will be applied in a circular motion to achieve a thin, even coating on the membrane. The properly cleaned/primed area will be uniform in color without streaks and free of globs or puddles.
  - b. PRE-KLEENED Membrane - Roller apply the primer /adhesive to the area of the membrane where the Reinforced EPDM Strip will be applied with a short nap length paint roller. The coated area will be free of globs or puddles.
5. Allow the primer / adhesive to dry until it does not transfer to a dry finger touch.
  6. Remove the release liner from the tape adhesive on the Stripbond II, pulling it parallel to the roof deck.
  7. Roll the deck membrane onto the exposed tape adhesive and apply hand pressure to the splice area.
  8. Roll the entire 229 mm (9") width of the Stripbond II splice area with a 50 mm (2") wide steel roller

\* REVIEW CURRENT LEXCAN SPECIFICATIONS AND DETAILS FOR SPECIFIC APPLICATION REQUIREMENTS.